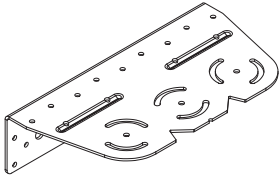


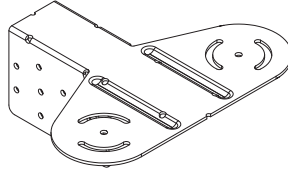
# MONTAGE



## WSK1



WSD-C x2

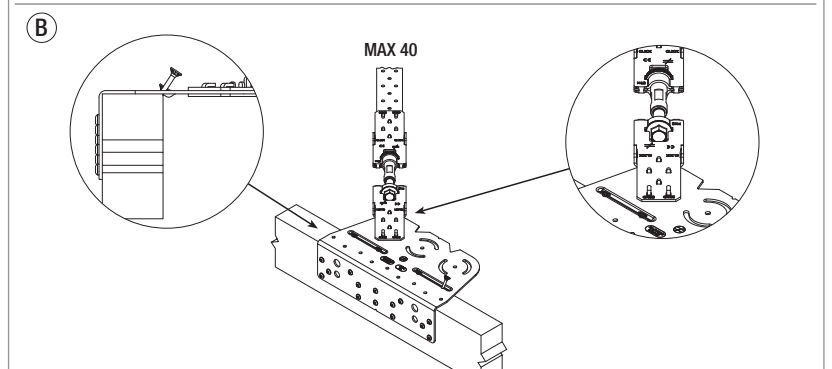
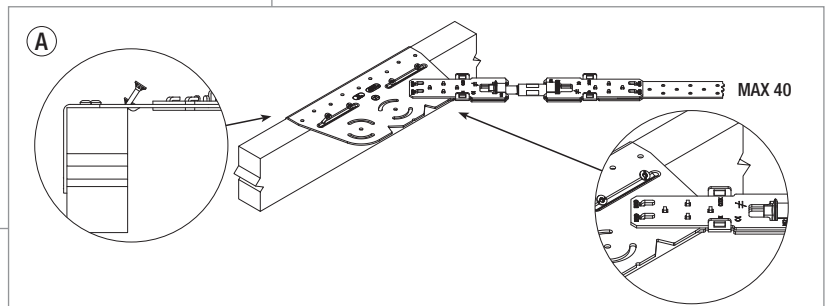
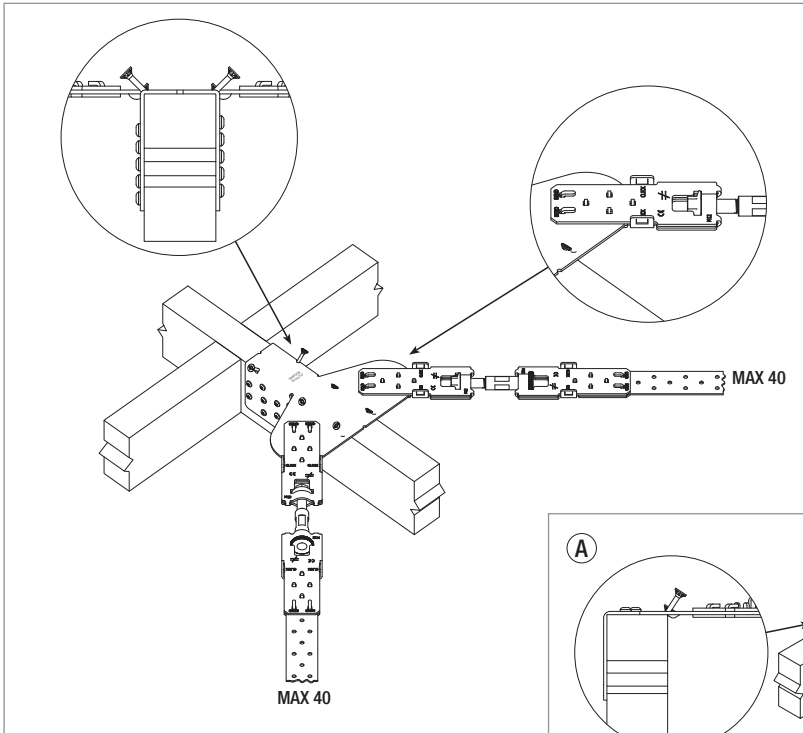


WSB-C x1



BPST x4

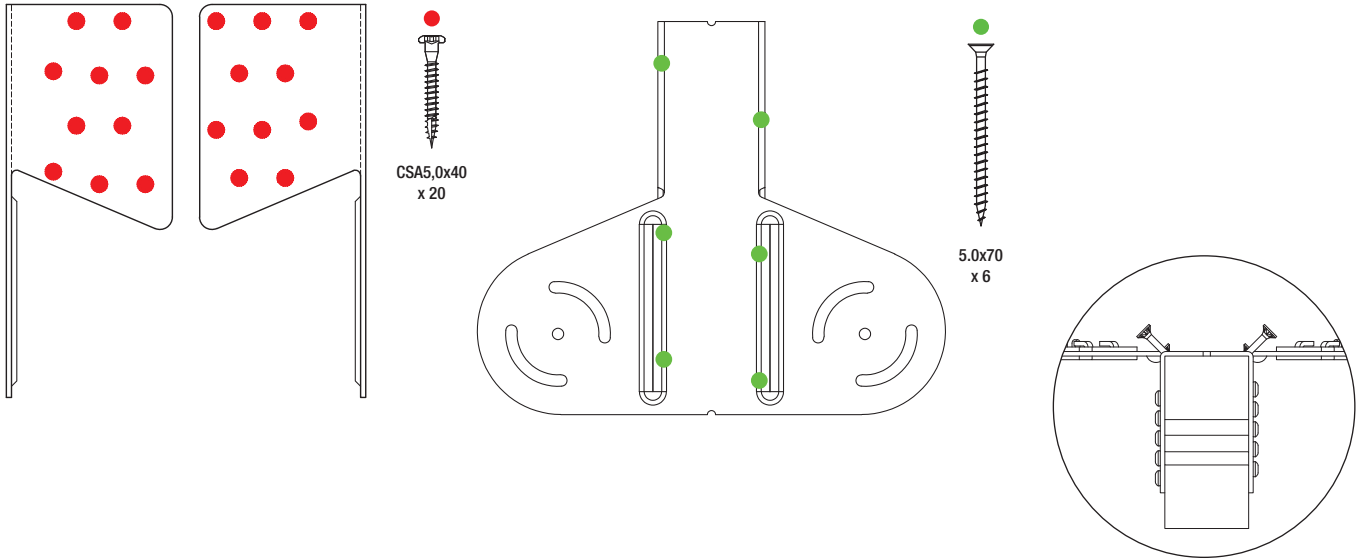
## MONTAGE:



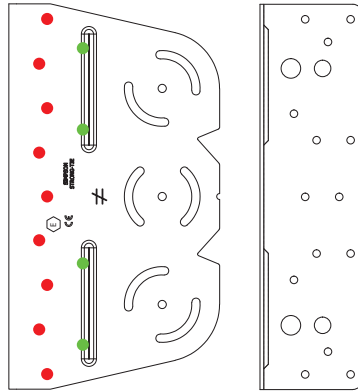
# MONTAGE



## WSK1



A



B

